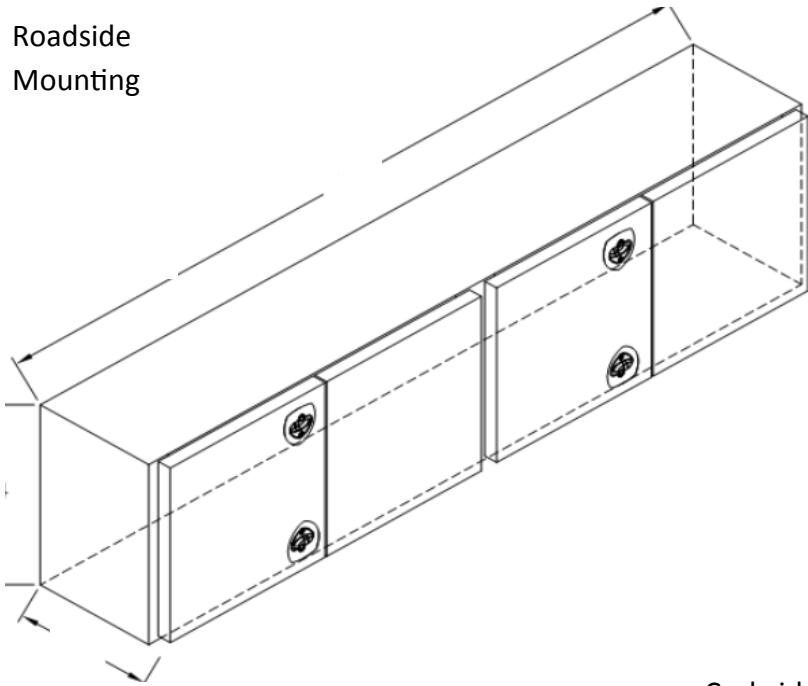
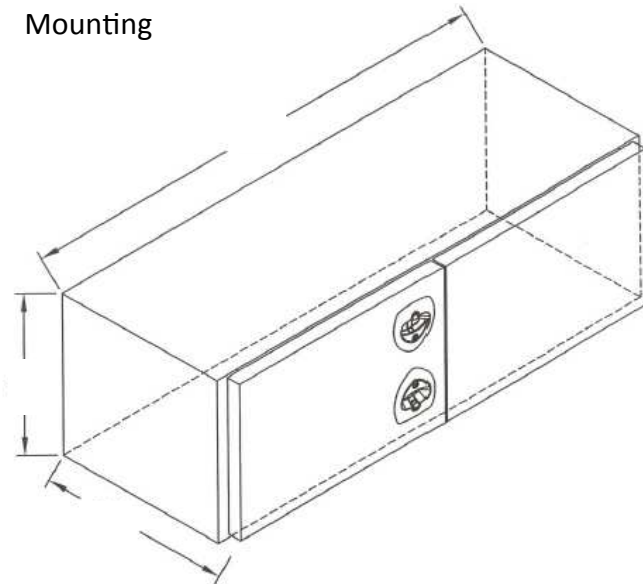


F Series—Underbody

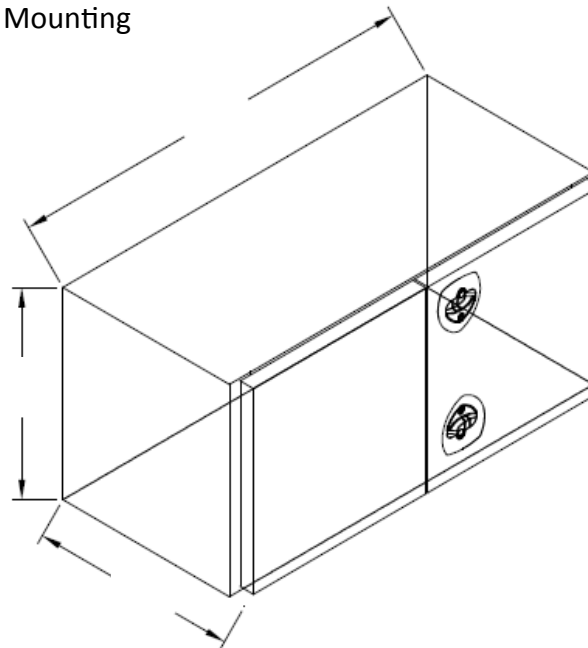
Roadside
Mounting



Roadside
Mounting



Curbside
Mounting



BOX OPTIONS

- ◇ Shelf Kits
- ◇ Welded in Shelves
- ◇ Adjustable Shelves
- ◇ Slide out Drawer Kit
- ◇ J hooks
- ◇ Louvers

BOX STANDARDS

- ◇ Single Or Double Side Swing Doors
- ◇ Side Hinging w/ no Center Post
- ◇ Gas Props
- ◇ Stainless Steel "L" Style Hinge
- ◇ Automotive Style Bulb Seal

MATERIAL OPTIONS FOR BOX

- ◇ 14 GA Steel
- ◇ 13 Ga Steel
- ◇ 12 Ga Steel
- ◇ .125 (1/8") Smooth Aluminum
- ◇ .125 (1/8") Diamond Bright Aluminum
- ◇ .100 Diamond Bright Aluminum
- ◇ 14 Ga (441) Bright Stainless Steel (Magnetic)
- ◇ 14 Ga (304) Stainless Steel (Non Magnetic)

POWDER COAT OPTIONS

- ◇ Textured Black Powder Coat
- ◇ Gloss Black
- ◇ Textured White Powder Coat
- ◇ Gloss White

MATERIAL OPTIONS FOR DOOR

- ◇ 14 GA Steel Construction
- ◇ .125 (1/8") Smooth Aluminum
- ◇ .125 (1/8") Diamond Bright Aluminum
- ◇ .100 Diamond Bright Aluminum
- ◇ 14 Ga (441) Bright Stainless Steel (Magnetic)
- ◇ 14 Ga (304) Stainless Steel (Non Magnetic)

