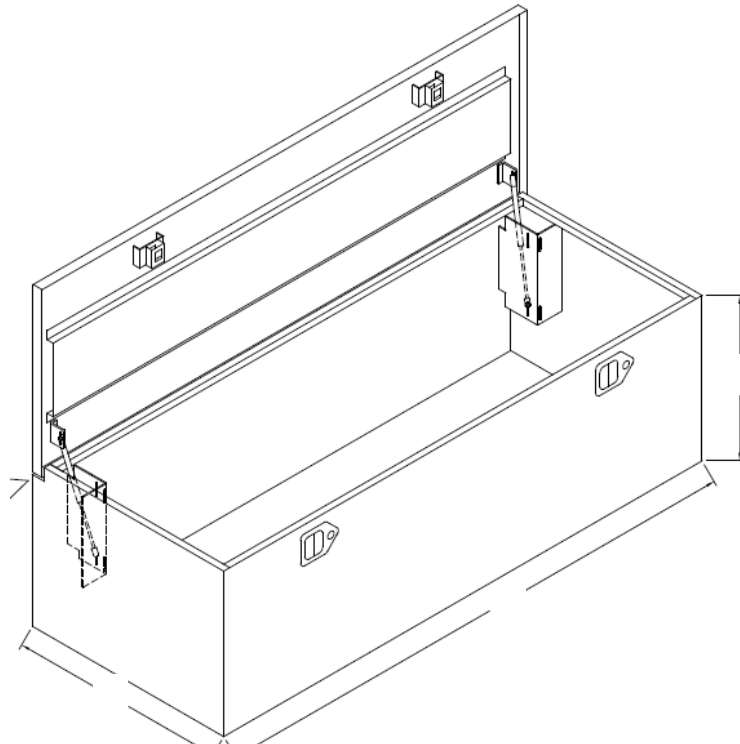
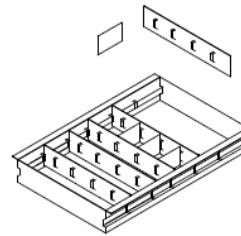


G Series—Chest Box



BOX OPTIONS

- ◇ Tray kit—pictured below
- ◇ Vertical Dividers
- ◇ Risers on the bottom



BOX STANDARDS

- ◇ Single Or Double Swing Up Door (Lid)
- ◇ Stainless Steel Continuous Hinge — offset hinge and pin
- ◇ Heavy-Duty Gas Props
- ◇ Neoprene Flat Weather Seal

MATERIAL OPTIONS FOR BOX

- ◇ 14 GA Steel Construction
- ◇ 13 GA Steel Construction
- ◇ .125 (1/8") Smooth Aluminum
- ◇ .125 (1/8") Diamond Bright Aluminum
- ◇ .100 Diamond Bright Aluminum
- ◇ 14 Ga (441) Bright Stainless Steel (Magnetic)
- ◇ 14 Ga (304) Stainless Steel (Non Magnetic)

POWDER COAT OPTIONS

- ◇ Textured Black Powder Coat
- ◇ Gloss Black
- ◇ Textured White Powder Coat
- ◇ Gloss White

MATERIAL OPTIONS FOR DOOR

- ◇ 14 GA Steel Construction
- ◇ 13 Ga Steel Construction
- ◇ .125 (1/8") Smooth Aluminum
- ◇ .125 (1/8") Diamond Bright Aluminum
- ◇ .100 Diamond Bright Aluminum
- ◇ 14 Ga (441) Bright Stainless Steel (Magnetic)
- ◇ 14 Ga (304) Stainless Steel (Non Magnetic)
- ◇ Locking Rods-
- ◇ Rotary Latch

