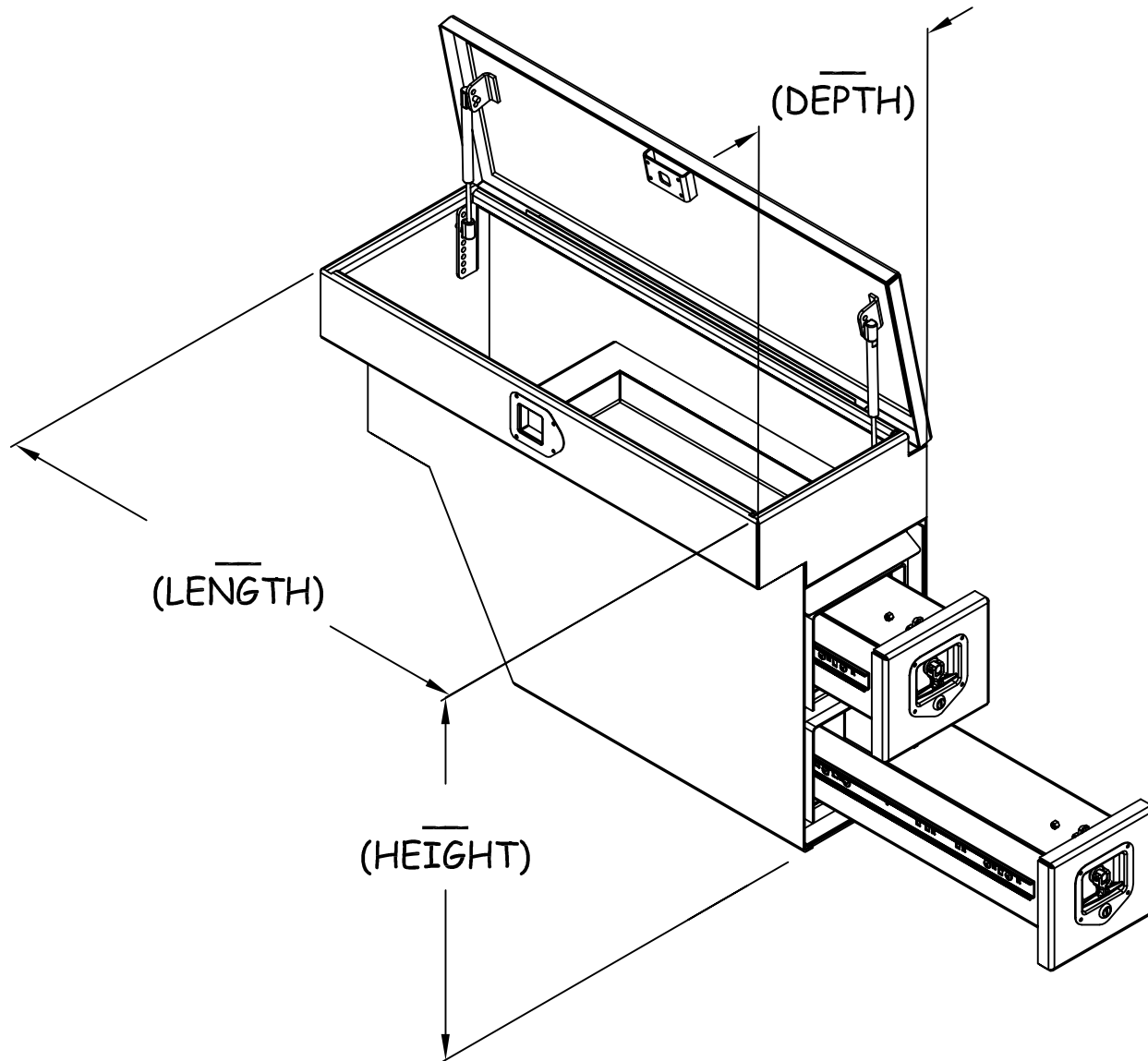


HATCHET BOX

CUSTOMER APPROVAL PRINT



ROAD SIDE SHOWN, CURB SIDE OPPOSITE.

SIGNATURE: _____

DATE: _____

PLEASE SKETCH LOCATIONS OF
REQUESTED ADDITIONAL ITEMS
(LOUVERS, SHELVES, DIVIDERS, ETC...)

