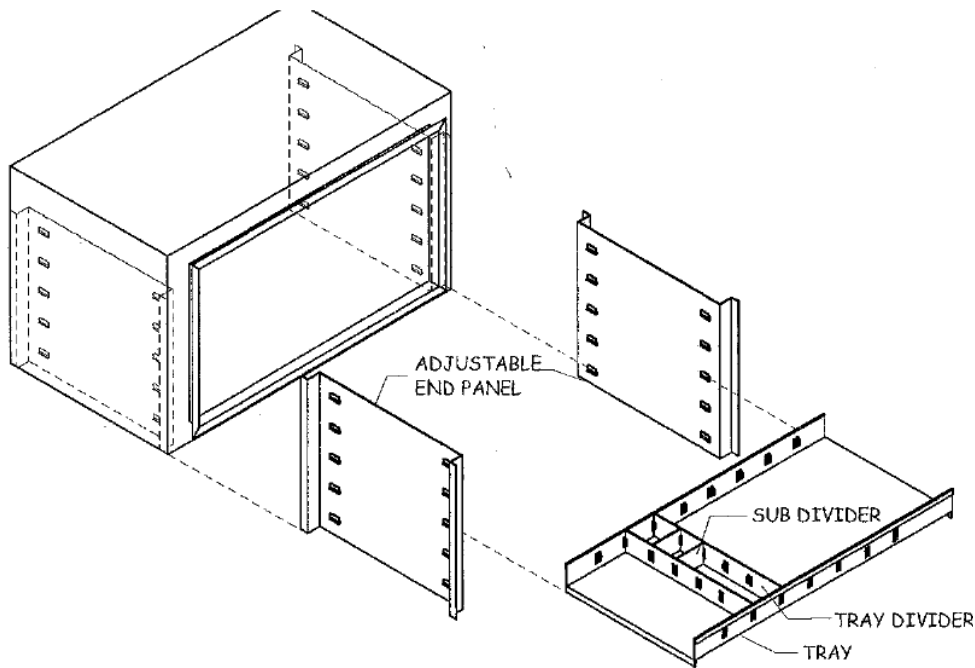
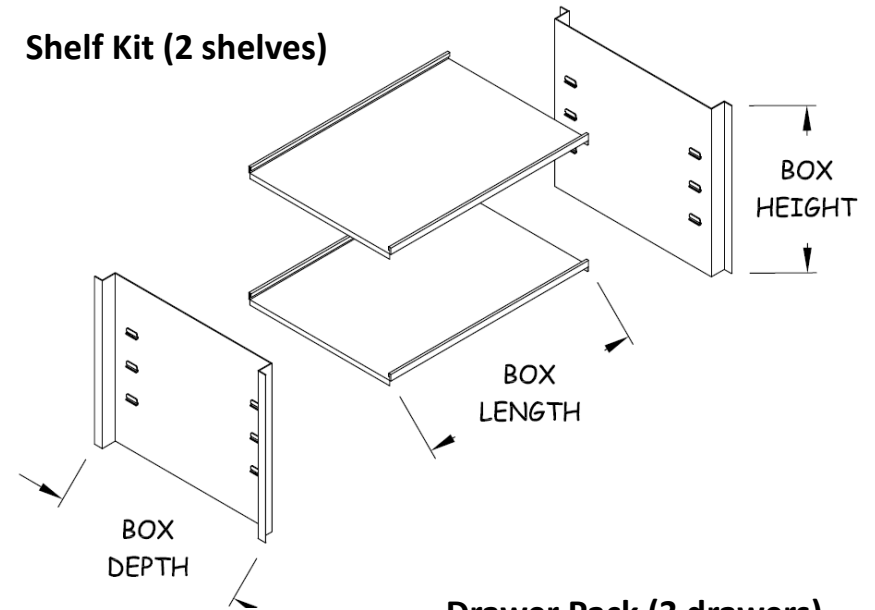


# Shelf Kits

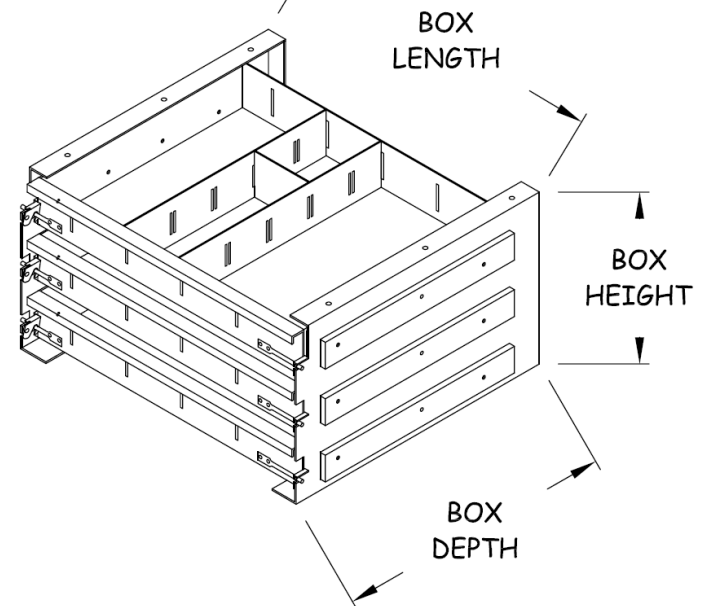
## Divider Tray Kit



## Shelf Kit (2 shelves)



## Drawer Pack (3 drawers)



### Features:

- ◇ 16 gauge Galvanized Steel
- ◇ Adjustable Snap in Shelf/ Shelves
- ◇ Up to 4 drawer Capacity
- ◇ 100 lb slides are standard
- ◇ Dividers and Sub Dividers are standard in Drawer Pack and Divider Tray Kit