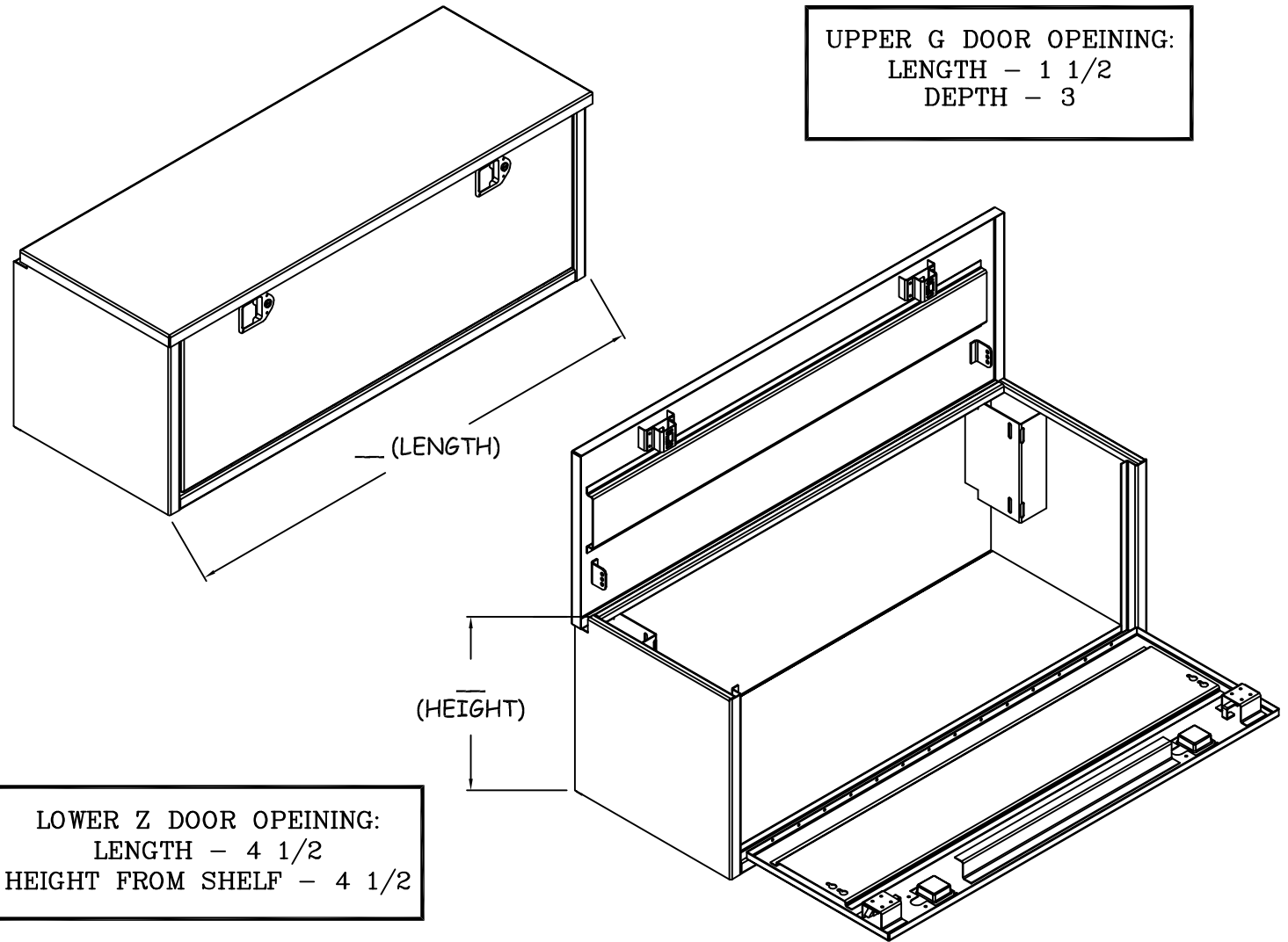


# Y-SERIES

## CUSTOMER APPROVAL PRINT



STANDARD MATERIALS INCLUDE COMBINATIONS OF:  
-1/8 ALUMINUM (SMOOTH & TREAD PLATE).  
-#14GA. STAINLESS STEEL (BRIGHT).  
-#14GA STEEL BOX W/ #13GA. STEEL DOOR.

SIGNATURE: \_\_\_\_\_

DATE: \_\_\_\_\_

PLEASE SKETCH LOCATIONS OF  
REQUESTED ADDITIONAL ITEMS  
(LOUVERS, SHELVES, DIVIDERS, ETC...)

